

TECHNICAL DATA SHEET

XR

Application

For domestic hot water system such as mix water underfloor heating system, air energy hot water circulation system, solar hot water circulation system and family hot, cold water pressurization circulation, etc.



Main features

- 3-speed adjustment
- Low noise
- No leakage

Working condition

- Liquid temperature: 2°C~110°C
- Ambient temperature: 0~+40°C
- Max system pressure: 10 bar
- Protection level: IP44
- Rated voltage/frequency: 220V~240V/50Hz
- Insulation class: H
- Pumped liquid characteristics: clean liquid, free from solids and mineral oils, non-toxic, chemically neutral, close to the characteristics of water
- Installation: the motor shaft must be kept in horizontal direction



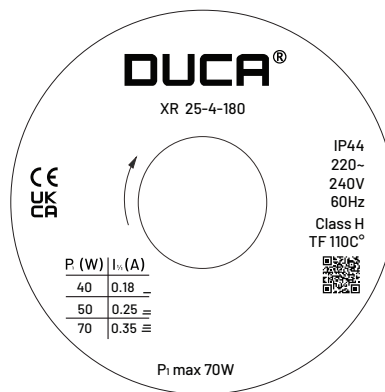
Max. Flow Rate
3 m³/h

Max. Head
4m

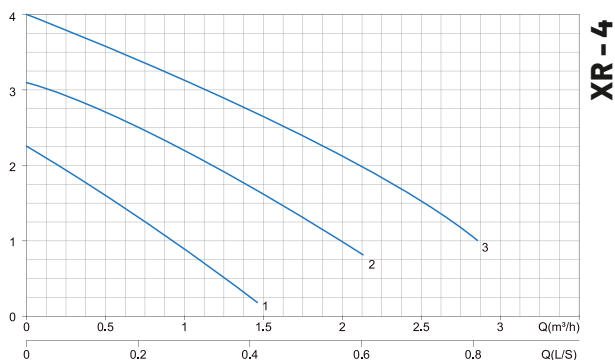
XR

25,32 - 4

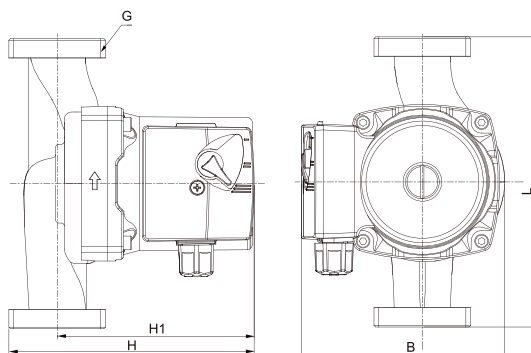
Nameplate



Performance Curve



Dimensions



H 133 mm

H1 103 mm

L 130/180 mm

B 123 mm

Different models

Model	Min/Max Temp (°C)	L (mm)	DN	P1 Max	Voltage (V)	Rated Current (A)	Union
25-4-130	2 to +110	130	25mm G1½	70	1x230	0,18-0,35	G1½ to G1
25-4-180	2 to +110	180	25mm G1½	70	1x230	0,18-0,35	G1½ to G1
32-4-180	2 to +110	180	32mm G2	70	1x230	0,18-0,35	G2 to G1¼

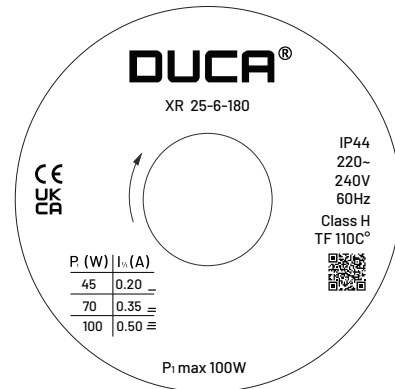


Max. Flow
3,2 m³/h

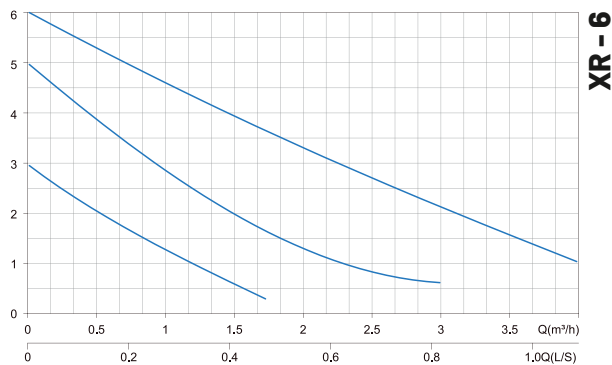
Max. Head
6m

XR 25,32 - 6

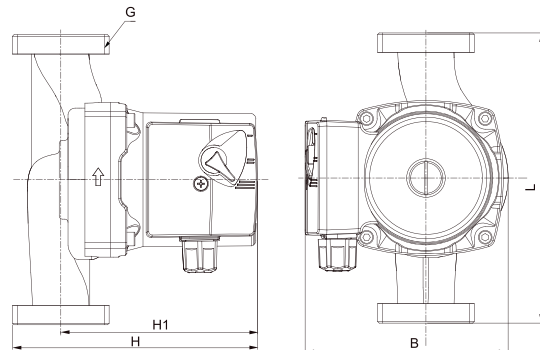
Nameplate



Performance Curve



Dimensions



H 133 mm
H1 103 mm

L 130/180 mm
B 123 mm

Different models

Model	Min/Max Temp (°C)	L (mm)	DN	P1 Max	Voltage (V)	Rated Current (A)	Union
25-6-130	2 to +110	130	25mm G1½	100	1x230	0,20-0,50	G1½ to G1
25-6-180	2 to +110	180	25mm G1½	100	1x230	0,20-0,50	G1½ to G1
32-6-180	2 to +110	180	32mm G2	100	1x230	0,20-0,50	G2 to G1¼



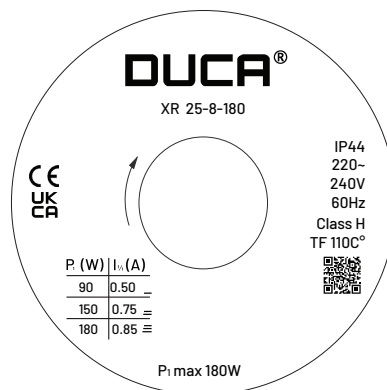
Max. Flow
3,5 m³/h

Max. Head
8m

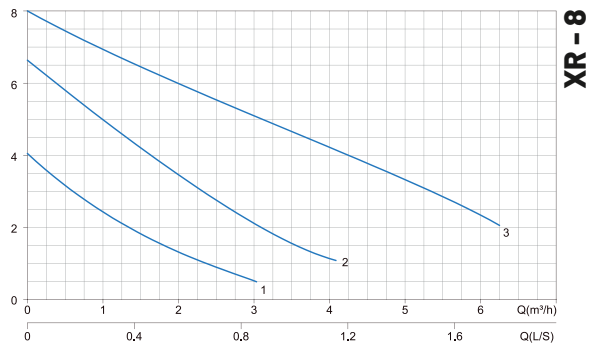
XR

25 - 8

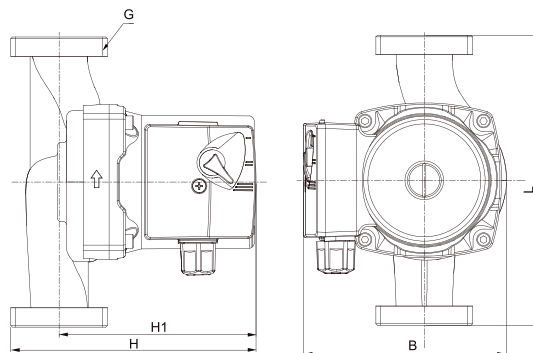
Nameplate



Performance Curve



Dimensions



H 133 mm
H1 103 mm

L 130/180 mm
B 123 mm

Different models

Model	Min/Max Temp (°C)	L (mm)	DN	P1 Max	Voltage (V)	Rated Current (A)	Union
25-8-180	2 to +110	180	25 _{mm} G1½	180	1x230	0,50-0,85	G1½ to G1